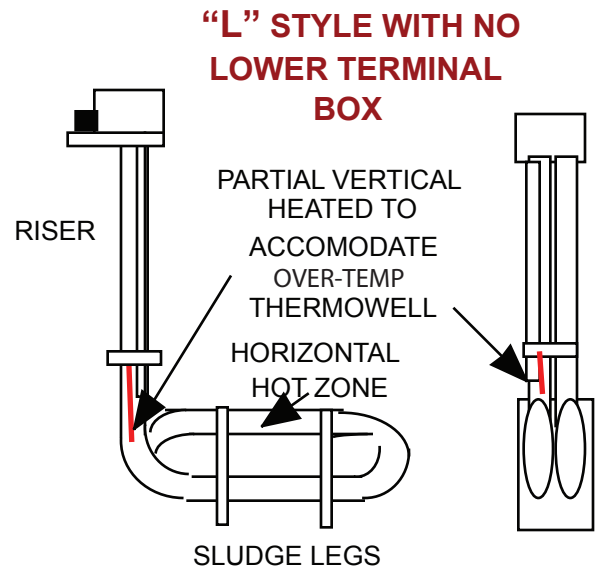
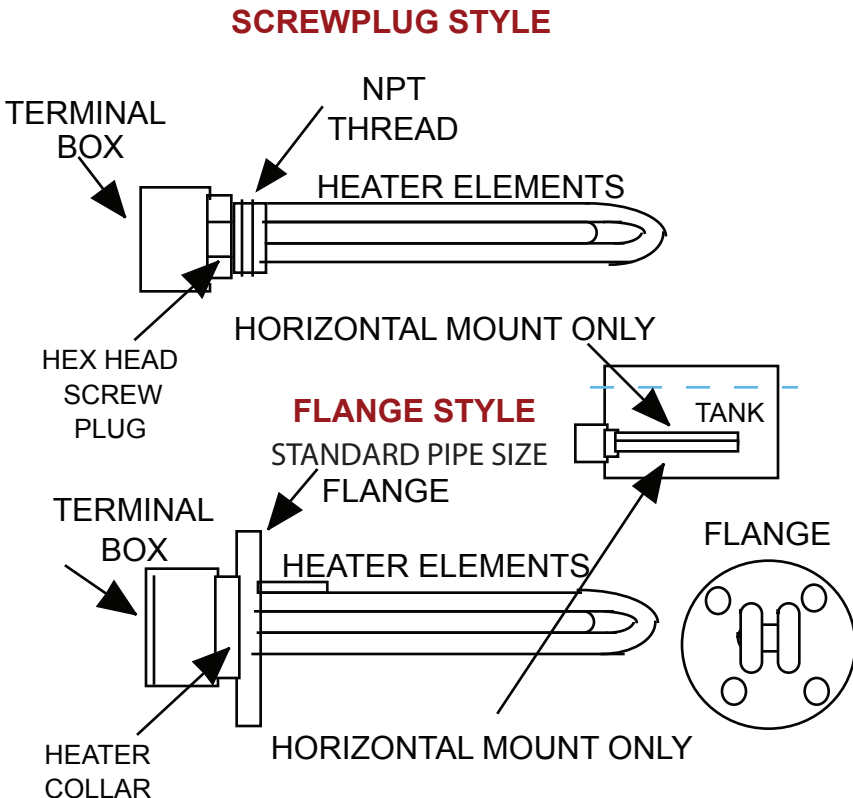
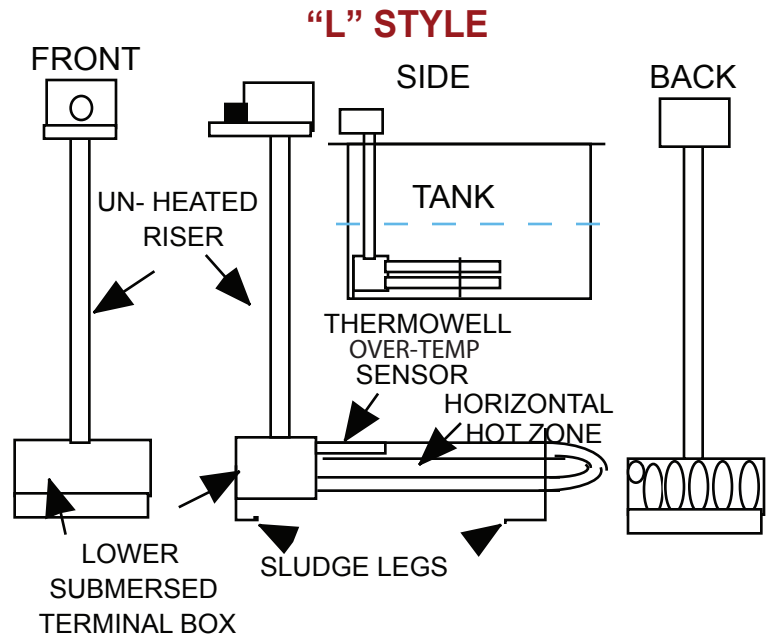
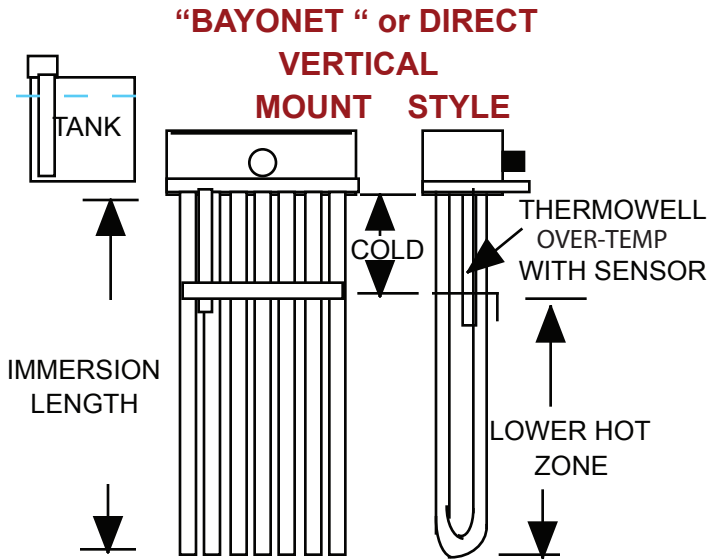


## IMMERSION HEATER BODY STYLES OVERSIGHT



**HeatStar Systems**

7547 Mentor Ave., Suite 304

Mentor, Ohio 44060

PH: 440-701-1031 / Fax: 440-918-1120

E-Mail: [heatstarsystems@sbcglobal.net](mailto:heatstarsystems@sbcglobal.net)

Web: [www.heatstarsystems.com](http://www.heatstarsystems.com)